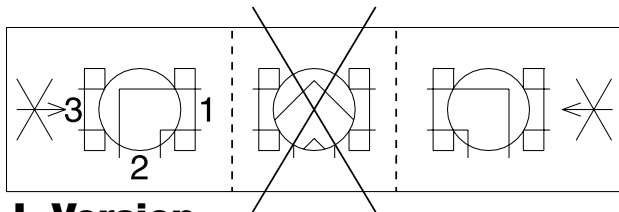
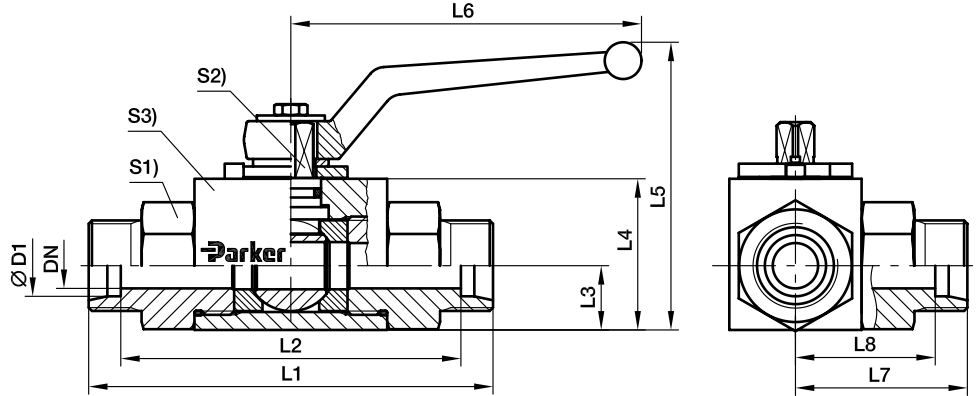
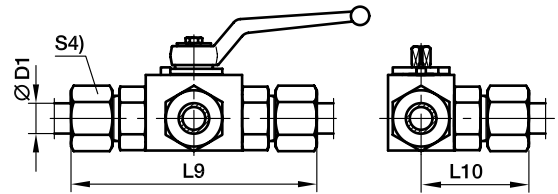


### KH 3-way compact ball valve steel

EO 24° cone end / EO 24° cone end / EO 24° cone end



#### L-Version



Series	D1 ⌀	DN	L1	L2	L3	L4	L5	L6	L7	L8	L9	L10	S1	S2	S3	S4	Weight g/1 piece	Order code*	PN (bar) <sup>1)</sup>
L <sup>3)</sup>	06	4	67	53	15.0	30	59.5	76	33.5	26.5	82	41.0	19	7	30	14	317	<b>KH3/2-06LX</b>	500
	08	6	67	53	15.0	30	59.5	76	33.5	26.5	82	41.0	19	7	30	17	214	<b>KH3/2-08LX</b>	500
	10	8	75	61	14.5	35	67.5	100	37.5	30.5	90	45.0	24	8	40	19	445	<b>KH3/2-10LX</b>	500
	12	10	75	61	14.5	35	67.5	100	37.5	30.5	90	45.0	24	8	40	22	537	<b>KH3/2-12LX</b>	500
	15	12	83	69	22.0	45	96.5	112	41.5	34.5	99	49.5	30	10	45	27	678	<b>KH3/2-15LX</b>	500
	18	16	82	67	25.0	50	110.0	166	41.0	33.5	99	49.5	36	11	50	32	850	<b>KH3/2-18LX</b>	400
S <sup>4)</sup>	22	20	99	84	29.0	60	126.0	187	49.5	42.0	116	58.0	41	14	55	36	1340	<b>KH3/2-22LX</b>	400
	28	25	108	93	31.0	65	131.0	187	54.0	46.5	126	63.0	50	14	65	41	2274	<b>KH3/2-28LX</b>	400
	08	4	73	59	15.0	30	59.5	76	36.5	29.5	88	44.0	19	7	30	19	350	<b>KH3/2-08SX</b>	500
	10	6	73	58	15.0	30	59.5	76	36.5	29.0	90	45.0	19	7	30	22	300	<b>KH3/2-10SX</b>	500
	12	8	77	62	14.5	35	67.5	100	38.5	31.0	94	47.0	24	8	40	24	469	<b>KH3/2-12SX</b>	500
	14	10	81	65	14.5	35	67.5	100	40.5	32.5	100	50.0	24	8	40	27	500	<b>KH3/2-14SX</b>	500
	16	12	87	70	22.0	45	96.5	112	43.5	35.0	106	53.0	30	10	45	30	909	<b>KH3/2-16SX</b>	500
	20	16	90	69	25.0	50	110.0	166	45.0	34.5	112	56.0	36	11	50	36	949	<b>KH3/2-20SX</b>	400
	25	20	107	83	29.0	60	126.0	187	53.5	41.5	131	65.5	41	14	55	46	1714	<b>KH3/2-25SX</b>	400
	30	25	120	93	31.0	65	131.0	187	60.0	46.5	146	73.0	50	14	65	50	2462	<b>KH3/2-30SX</b>	400

<sup>1)</sup> Pressure shown = item deliverable

<sup>3)</sup> L = light series; <sup>4)</sup> S = heavy series

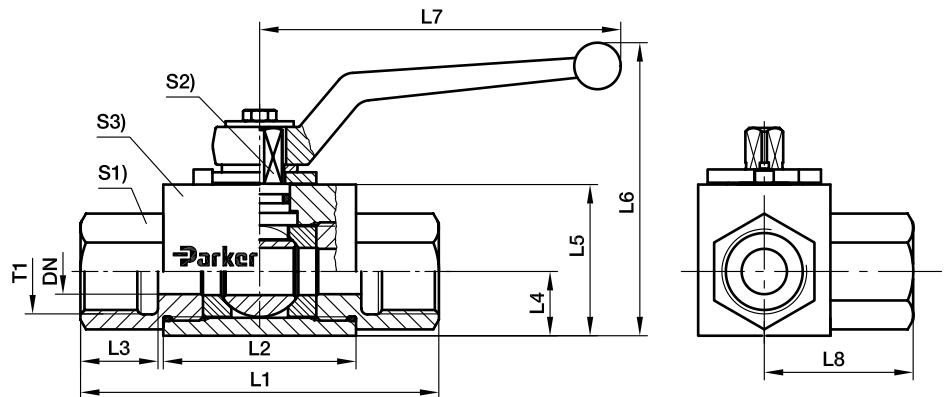
PN (bar) = PN (MPa)  
10

Delivery without nut and ring. Information on ordering complete fittings or alternative sealing materials see page 17.

Order code suffixes			
Material	Suffix surface and material	Example	Standard sealing material (no additional suffix needed)
Steel, zinc plated, Cr(VI)-free	CF	KH3/2-06LCFX	POM / NBR
Steel	DIN 50938-FE//A/T4	KH3/2-06LX	POM / NBR

### KH 3-way compact BSPP ball valve steel

Female BSPP thread (ISO 1179-1) / Female BSPP thread (ISO 1179-1) / Female BSPP thread (ISO 1179-1)

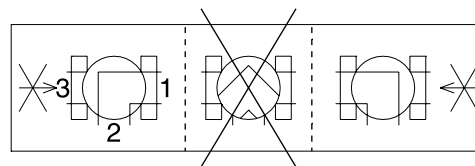


T1	DN	L1	L2	L3	L4	L5	L6	L7	L8	S1	S2	S3	Weight g/1 piece	Order code*	PN (bar) <sup>1)</sup>
G 1/8	4	69	36	12	15.0	30	55	76	34.5	19	7	30	270	<b>KH3/2-1/8X</b>	500
G 1/4	6	69	36	12	15.0	30	55	76	34.5	19	7	30	342	<b>KH3/2-1/4X</b>	500
G 3/8	10	73	45	14	14.5	35	68	100	36.5	24	8	40	563	<b>KH3/2-3/8X</b>	500
G 1/2	12	82	51	15	22.0	45	92	112	41.0	30	10	45	932	<b>KH3/2-1/2X</b>	500
G 3/4	20	93	60	18	29.0	60	113	187	48.0	41	14	55	1724	<b>KH3/2-3/4X</b>	400
G 1	25	118	70	18	31.0	65	119	187	57.5	50	14	65	2643	<b>KH3/2-1X</b>	400
G 1 1/4	32/25	134	70	20	31.0	65	119	187	67.0	50	14	65	2710	<b>KH3/2-11/4X</b>	400
G1 1/2	40/25	139	70	22	31.0	65	119	187	69.5	50	14	65	2910	<b>KH3/2-11/2X</b>	400

<sup>1)</sup> Pressure shown = item deliverable

$$\frac{PN \text{ (bar)}}{10} = PN \text{ (MPa)}$$

Delivery without nut and ring. Information on ordering complete fittings or alternative sealing materials see page I7.



### L-Version

Order code suffixes			
Material	Suffix surface and material	Example	Standard sealing material (no additional suffix needed)
Steel, zinc plated, Cr(VI)-free	CF	KH3/2-1/8CFX	POM / NBR
Steel	DIN 50938-FE//A/T4	KH3/2-1/8X	POM / NBR